



"Global Pool Products is committed to engineering and manufacturing world class products in the pool industry"

# TSUNAMI ASSEMBLY & INSTALLATION GUIDE



[www.global-poolproducts.com](http://www.global-poolproducts.com)

Global Pool Products  
1330 Pigeon Rd  
Bad Axe, MI 48413  
P: 989-269-5900 - TF: 866-712-0606  
Fax: 989-269-5902  
[www.global-poolproducts.com](http://www.global-poolproducts.com)

Information contained in this document is proprietary and confidential to Global Pool Products and not to be reproduced without written consent from Global Pool Products.



“Global Pool Products is committed to engineering and manufacturing world class products in the pool industry”

## TSUNAMI SLIDE

### TABLE OF CONTENTS

Introduction	PAGE 3
Tsunami Post Installation Instructions	PAGE 4
Maintenance Instructions	PAGE 4
Tsunami Slide Placement/Stub Up	PAGE 5
Tsunami Specification Sheets	Page 6-8
Tsunami Assembly	PAGE 9-19
On Deck Mounting & Plumbing Instructions	PAGE 20-23
Exploded View Reference Materials	PAGE 24-27

Global Pool Products  
1330 Pigeon Rd  
Bad Axe, MI 48413  
P: 989-269-5900 - TF: 866-712-0606  
Fax: 989-269-5902  
[www.global-poolproducts.com](http://www.global-poolproducts.com)

Information contained in this document is proprietary and confidential to Global Pool Products and not to be reproduced without written consent from Global Pool Products.



“Global Pool Products is committed to engineering and manufacturing world class products in the pool industry”

## INTRODUCTION

Global Pool Products is located in Mid-Michigan. Global Pool Products prides itself in manufacturing top of the line quality aquatic pool equipment and products. Global Pool Product’s key staff has over a century of combined industry experience and we take pride in each and every product that we build. Our products are made in the United States. Global Pool Products uses only the finest materials and processes to provide our customers with the highest quality products while still maintaining a price competitive edge.

The Tsunami is designed for use on in-ground residential swimming pools ONLY. The Tsunami must be properly assembled, installed, used, and supervised for proper use and operation to reduce the risk of serious injury and/or death.

Please refer to your local building codes and national building codes to be implemented prior to slide installation.

Before starting assembly, remove all packaging and materials from the boxes. Double check to make sure that nothing is left inside the boxes. Identify the parts and hardware utilizing the parts listed in this document. Examine all parts thoroughly prior to installation to avoid anything that may have been damaged in transit. A damaged part should not be used in the installation of this slide. Contact Global Pool Products if any parts arrived damaged. Proper assembly and installation of the Tsunami Slide is imperative. Not following the directions provided will void Global Pool Products Warranty and may affect the safety of the slide rider.

After installation of the Tsunami, please provide the slide owner with an owner’s manual, insist that warranty information be completed and sent to Global Pool Products, discuss proper use of the slide, and answer any and all questions regarding the safety of the slide.

**⚠️ NEGLECTING TO FOLLOW THESE INSTRUCTIONS AND THE OWNER’S  
MANUAL MAY RESULT IN SERIOUS INJURY OR DEATH ⚠️**

Global Pool Products  
1330 Pigeon Rd  
Bad Axe, MI 48413  
P: 989-269-5900 - TF: 866-712-0606  
Fax: 989-269-5902  
[www.global-poolproducts.com](http://www.global-poolproducts.com)

Information contained in this document is proprietary and confidential to  
Global Pool Products and not to be reproduced without  
written consent from Global Pool Products.



“Global Pool Products is committed to engineering and manufacturing world class products in the pool industry”

## POST INSTALLATION CHECKLIST FOR TSUNAMI SLIDE

Installer to review with slide owner upon completion of slide installation.

Examine:

- The flume for any apparent cracks or gashes.
- The ladder for sharp borders, snags, cracks, or gashes.
- All fasteners to make sure none are loose.
- The ladder for stability and connection to the flume.
  
- ✓ Pool water depth at the base of the slide should be at least 3' (914 mm) deep.
- ✓ The height of the slide flume exit above the water should be 20" (508 mm) maximum.
- ✓ The distance between the slide centerline and the edge of other pool equipment should be at least 3'6" (1067 mm).

## MAINTENANCE INSTRUCTIONS

- A. Spray your Tsunami Slide down with water to wash away build up.
- B. Be sure that all connection points are tight. If not, tighten anchors as necessary.
- C. All polyethylene parts require little maintenance. Hose and wipe to clean.

Examine:

- The flume for any apparent cracks or gashes.
- All fasteners to make sure none are loose.
- The ladder and inner flume for sharp borders, snags, cracks, or gashes.

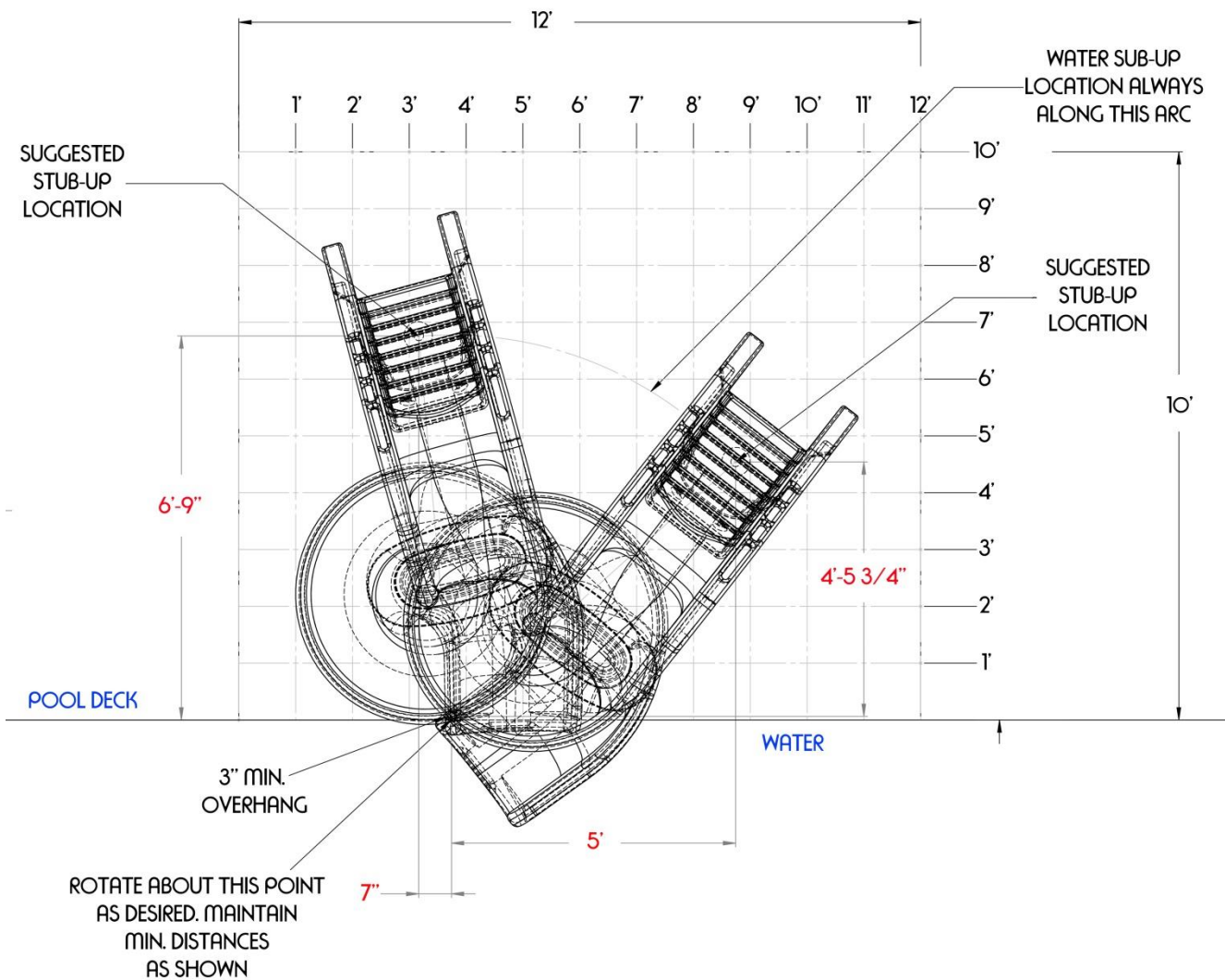
Global Pool Products  
1330 Pigeon Rd  
Bad Axe, MI 48413  
P: 989-269-5900 - TF: 866-712-0606  
Fax: 989-269-5902  
[www.global-poolproducts.com](http://www.global-poolproducts.com)

Information contained in this document is proprietary and confidential to  
Global Pool Products and not to be reproduced without  
written consent from Global Pool Products.



"Global Pool Products is committed to engineering and manufacturing world class products in the pool industry"

## Tsunami Slide Placement/Stub-up Location



Global Pool Products  
 1330 Pigeon Rd  
 Bad Axe, MI 48413  
 P: 989-269-5900 - TF: 866-712-0606  
 Fax: 989-269-5902  
[www.global-poolproducts.com](http://www.global-poolproducts.com)

Information contained in this document is proprietary and confidential to Global Pool Products and not to be reproduced without written consent from Global Pool Products.



“Global Pool Products is committed to engineering and manufacturing world class products in the pool industry”

## Tsunami Slide Specifications

### Product Numbers and Shipping Weights:

Model Number	Description	Shipping Weights
GPPSTS-GREY	Tsunami – Grey Granite	515 lbs (233.6 kg)
GPPSTS-SAND	Tsunami – Sandstone Granite	515 lbs (233.6 kg)
GPPSTS-GREY-LED	Tsunami – Grey Granite with LED Package	525 lbs (238.1 kg)
GPPSTS-SAND-LED	Tsunami – Sandstone Granite with LED Package	525 lbs (238.1 kg)

### Broad Description:

The Tsunami Slide is a sturdy, durable, roto-molded slide with enclosed plumbing for a clean finished look. The Tsunami is available in Sandstone or Gray Granite finishes and has the option of an LED lighting package.

### Utilization:

This slide is intended for use on in-ground residential swimming pools ONLY. Our multi point anchoring system allows the Tsunami to accommodate most geographical regions. The slide is rated for a maximum of 275 lb. (124 kg) for its riders.

### Specifications:

- The ladder is enclosed with nine coping style steps for a safe and easy climbing.
- The two handrails are roto-molded into the ladder with two optional widths for a comfortable climb for most riders.
- The slide runway has a twenty-four inch wide seating area made of a thick, durable roto-molded plastic.
- The water delivery system is enclosed within the roto-molded ladder for a clean look. Water is delivered with a 1" PVC hose to allow maximum water coverage on the flume at 25 gpm.
- The Tsunami is anchored to the pool deck with ½" diameter galvanized anchor studs with attaching hardware.

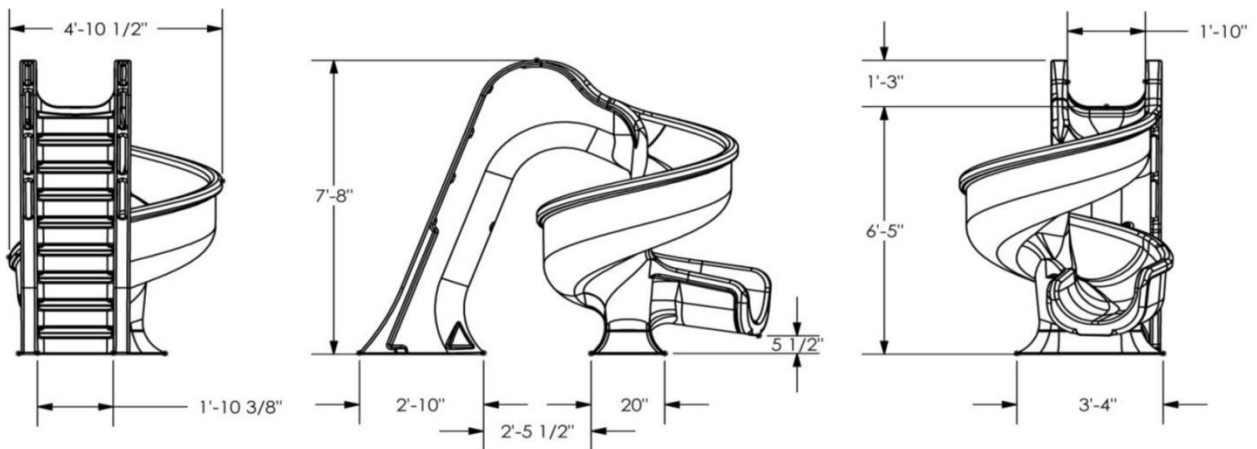
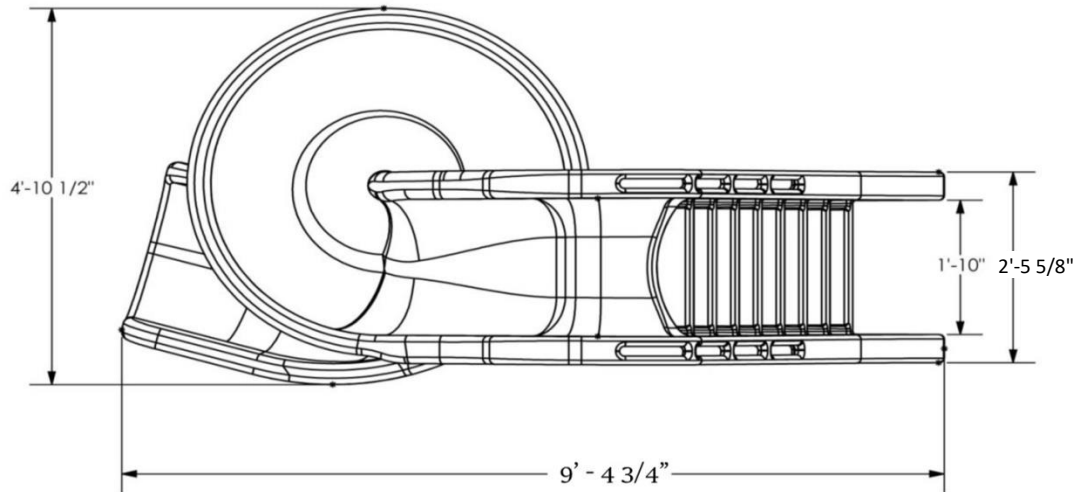
Global Pool Products  
 1330 Pigeon Rd  
 Bad Axe, MI 48413  
 P: 989-269-5900 - TF: 866-712-0606  
 Fax: 989-269-5902  
[www.global-poolproducts.com](http://www.global-poolproducts.com)

Information contained in this document is proprietary and confidential to Global Pool Products and not to be reproduced without written consent from Global Pool Products.



"Global Pool Products is committed to engineering and manufacturing world class products in the pool industry"

## Tsunami Slide Specifications



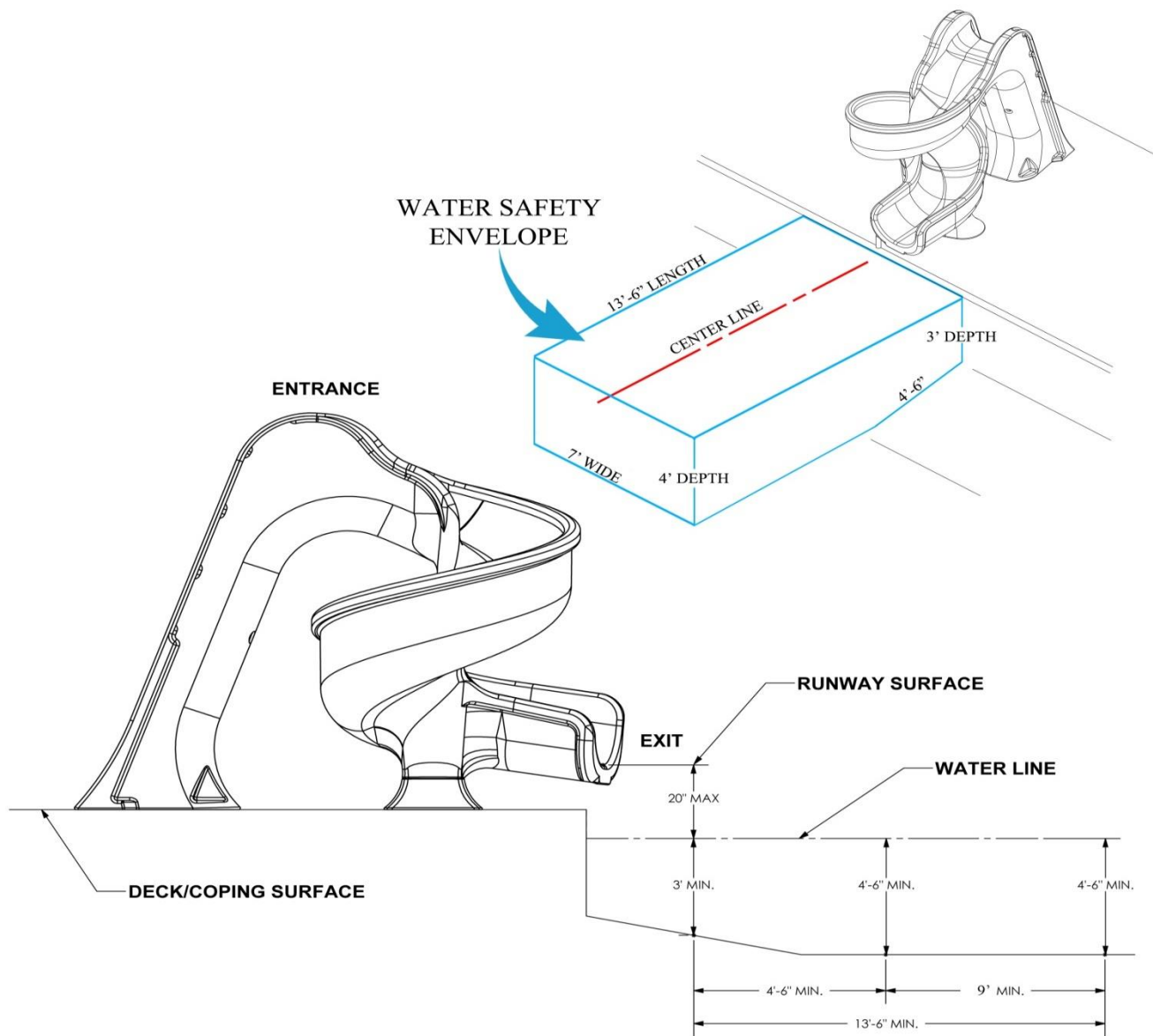
Global Pool Products  
 1330 Pigeon Rd  
 Bad Axe, MI 48413  
 P: 989-269-5900 - TF: 866-712-0606  
 Fax: 989-269-5902  
[www.global-poolproducts.com](http://www.global-poolproducts.com)

Information contained in this document is proprietary and confidential to Global Pool Products and not to be reproduced without written consent from Global Pool Products.



“Global Pool Products is committed to engineering and manufacturing world class products in the pool industry”

## Tsunami Slide Specifications



Global Pool Products  
 1330 Pigeon Rd  
 Bad Axe, MI 48413  
 P: 989-269-5900 - TF: 866-712-0606  
 Fax: 989-269-5902  
[www.global-poolproducts.com](http://www.global-poolproducts.com)

Information contained in this document is proprietary and confidential to Global Pool Products and not to be reproduced without written consent from Global Pool Products.





“Global Pool Products is committed to engineering and manufacturing world class products in the pool industry”

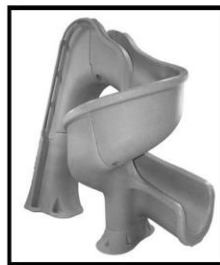
## TSUNAMI ASSEMBLY INSTRUCTIONS

### Tools Needed:

- |                              |                       |                            |
|------------------------------|-----------------------|----------------------------|
| 1. 3/16" Allen Wrench        | 6. PTFE (Teflon) Tape | 10. 5/8" Deep Well Socket  |
| 2. 7/32" Allen Wrench        | 7. PTFE (Teflon) Glue | 11. 9/16" Deep Well Socket |
| 3. 9/16" Wrench              | 8. PVC Primer         | 12. Ratchet                |
| 4. Anti-Seize (Included)     | 9. PVC Glue           | 13. Ratchet Extension      |
| 5. Phillips Head Screwdriver |                       |                            |

### Included Hardware:

- |                                      |                                    |                              |
|--------------------------------------|------------------------------------|------------------------------|
| (4) – 3/8" Hex Head Bolt – 2"        | (26) – 3/8" x 1" Washer            | (10) – Concrete Anchors      |
| (1) – 3/8" Button Head – 2 1/4"      | (10) – Lock Washer                 | (8) – 3/8" Nut               |
| (2) – 3/8" Acorn Nut                 | (2) – 3/8" Hex Bolts – 3"          | (2) – 3/8" Hex Bolt – 3 3/4" |
| (2) – 3/8" Button Head Bolt – 3 1/2" | (1) – 54" Thick Foam-Rubber Gasket | (1) – 3/8" Button Head - 2"  |
| (2) – 3/8" Button Head Bolt – 3"     | (1) – 1" PVC MPT Adapter           | (2) – 3/8" Stud – 3"         |
| (1) – 34" Foam-Rubber Gasket         | (1) – 7'-6" PVC Flex Hose          | (10) – Anchor Nut Caps       |
| (6) – #4 Screws x 1/2"               | (1) – Access Plate                 | (2) – 3/8" Hex Bolt – 3/4"   |
| (2) – 3/8" x 3" Studs                | (1) – Roll of Butyl                |                              |



Flume Base



Lower Flume



Lower Ladder



Upper Ladder



Upper Flume

Global Pool Products  
 1330 Pigeon Rd  
 Bad Axe, MI 48413  
 P: 989-269-5900 - TF: 866-712-0606  
 Fax: 989-269-5902  
[www.global-poolproducts.com](http://www.global-poolproducts.com)

Information contained in this document is proprietary and confidential to Global Pool Products and not to be reproduced without written consent from Global Pool Products.



“Global Pool Products is committed to engineering and manufacturing world class products in the pool industry”

**Prior to the Start of Assembly:**

- Utilize the cardboard that the slide shipped in as a barrier between your slide components and the surface that the slide is being assembled on to prevent any scuffs and scratches.
- Apply anti-seize to all threaded portions of the fastener hardware. This will aide in the assembly, resistance of corrosion, and prevents galling.
- Prepare all bolts with a lock washer and washer in the order as shown below.



- Tighten fasteners after all fasteners are threaded in place.

## Scan the QR Code for Video Assembly Instructions



Global Pool Products  
1330 Pigeon Rd  
Bad Axe, MI 48413  
P: 989-269-5900 - TF: 866-712-0606  
Fax: 989-269-5902  
[www.global-poolproducts.com](http://www.global-poolproducts.com)

Information contained in this document is proprietary and confidential to Global Pool Products and not to be reproduced without written consent from Global Pool Products.



"Global Pool Products is committed to engineering and manufacturing world class products in the pool industry"

# Tsunami Assembly Instructions

## STEP 1

### Attaching the base to the lower flume

- Use bag one from the hardware kit to attach the lower flume to the base
- Turn the lower flume upside down laying it on a soft surface to prevent scratches
- Lay the base on the flume and attach them together using four 2" hex bolts using one flat washer for each bolt
- Once all bolts are started, tighten with a 9/16" socket



Global Pool Products  
1330 Pigeon Rd  
Bad Axe, MI 48413  
P: 989-269-5900 - TF: 866-712-0606  
Fax: 989-269-5902  
[www.global-poolproducts.com](http://www.global-poolproducts.com)

Information contained in this document is proprietary and confidential to Global Pool Products and not to be reproduced without written consent from Global Pool Products.



“Global Pool Products is committed to engineering and manufacturing world class products in the pool industry”

## STEP 2

### Installing the foam gasket and butyl on the lower flume

- Install the shorter 34” foam-rubber gasket from the seal kit tube on the lower flume, start at the top and install it following the curve of the flume, cut off any excess and discard it
- Measure the center of lower flume, use the point where the foam- rubber gasket stops on the right and the point level to that on the left to find center, put a mark with a sharpie low enough so it is not visible once the slide is assembled
- From the roll of butyl, cut a piece of butyl 30” long and mark the center with your thumbnail
- Line the center of the lower flume to the center of the 30” long butyl (paper side facing you), place it directly under the foam-rubber gasket following the curve of the lower flume, make sure they are touching to ensure proper placement
- Firmly press in the butyl to ensure it is secure to the flume, then remove the paper backing from the butyl



Points used to find center.



Global Pool Products  
1330 Pigeon Rd  
Bad Axe, MI 48413  
P: 989-269-5900 - TF: 866-712-0606  
Fax: 989-269-5902  
[www.global-poolproducts.com](http://www.global-poolproducts.com)

Information contained in this document is proprietary and confidential to Global Pool Products and not to be reproduced without written consent from Global Pool Products.



"Global Pool Products is committed to engineering and manufacturing world class products in the pool industry"

## STEP 3

### Attaching the upper flume to the lower flume

- a. Use two people to lift the upper flume and place it onto the lower flume, they lock into place with the grooved design
- b. From bag three in the hardware kit, use one 2" button head bolt, with one flat washer on the upper attachment point
- c. From bag three in the hardware kit, use one 2 ¼" button head bolt, with one flat washer on the inner spindle attachment point
- d. From bag three in the hardware kit, use two 3" studs, install them into the lower attachment points, tighten using a 3/16" Allen wrench, place a flat washer, then a lock washer, and lastly a hex nut onto each stud
- e. Plastic clamps may need to be used to aid alignment of the bolt holes
- f. Once all bolts have been started, tighten the button head bolts with a 7/32" Allen wrench and the hex nuts with a 9/16" wrench



Global Pool Products  
1330 Pigeon Rd  
Bad Axe, MI 48413  
P: 989-269-5900 - TF: 866-712-0606  
Fax: 989-269-5902  
[www.global-poolproducts.com](http://www.global-poolproducts.com)

Information contained in this document is proprietary and confidential to Global Pool Products and not to be reproduced without written consent from Global Pool Products.



“Global Pool Products is committed to engineering and manufacturing world class products in the pool industry”

## STEP 4

### Attaching the plumbing

- a. Use the PVC fitting in bag four from the hardware kit to hookup the plumbing in the upper ladder
- b. Add PTFE (Teflon) tape and then PTFE (Teflon) glue to the to the 1” MPT Adapter to ensure the plumbing doesn’t leak
- c. Through the access hole located at the top of the upper ladder, thread fitting into the internal brass fitting (molded into the upper ladder portion of the slide)
- d. Apply PVC primer to the female end of the adapter and to one end of the flex hose
- e. Starting with the primed end of the flex hose, route the flex hose through the upper ladder portion of the slide, start at the 5” hole located at the bottom of the upper ladder
- f. Apply PVC glue to the female end of the adapter and the flex hose where it was primed
- g. Join the flex hose with the PVC adapter (push in and twist for good adhesion) until the pipe bottoms out, hold them together until they have started to bond
- h. Allow for proper drying time before moving to the next step



Global Pool Products  
1330 Pigeon Rd  
Bad Axe, MI 48413  
P: 989-269-5900 - TF: 866-712-0606  
Fax: 989-269-5902  
[www.global-poolproducts.com](http://www.global-poolproducts.com)

Information contained in this document is proprietary and confidential to Global Pool Products and not to be reproduced without written consent from Global Pool Products.

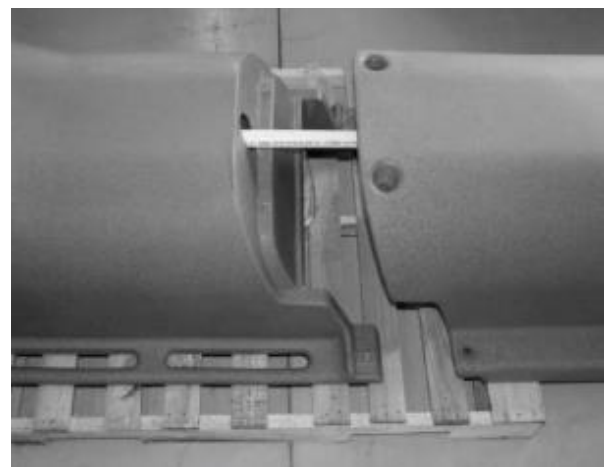


"Global Pool Products is committed to engineering and manufacturing world class products in the pool industry"

## STEP 5

### Attaching the upper ladder to the lower ladder

- Stand the lower ladder upright, place the upper ladder on top and guide the remaining flex hose into the lower ladder
- From bag five in the hardware kit, use two 3" button head bolts each with one flat washer, insert them into the handrail connection points from the front side, secure them on the opposite side with a flat washer, then a lock washer, and lastly an acorn nut
- From bag five in the hardware kit, use two 3" hex bolts, place a lock washer then a flat washer onto bolt, insert them into the connection points on the back side of the ladder
- Once all bolts have been started, tighten the button head bolts with a 7/32" Allen wrench, the acorn nuts with a 5/8" wrench, and the hex bolts with a 9/16" socket.



Global Pool Products  
1330 Pigeon Rd  
Bad Axe, MI 48413  
P: 989-269-5900 - TF: 866-712-0606  
Fax: 989-269-5902  
[www.global-poolproducts.com](http://www.global-poolproducts.com)

Information contained in this document is proprietary and confidential to Global Pool Products and not to be reproduced without written consent from Global Pool Products.



“Global Pool Products is committed to engineering and manufacturing world class products in the pool industry”

## STEP 5.5

### Installing the dual seal on the upper ladder

- Measure the center of the ladder, use the two through bolt holes as measuring points, mark center with a sharpie
- Install the longer 54” foam-rubber gasket from the seal kit tube on the ladder, start at the top and install it following the curve, cut off any excess and discard it, each end should be roughly 3” from the flume tops
- From the roll of butyl, cut two pieces 32” long, take the exposed sides of the butyl and attach them to double the thickness, peel one side of the paper off and mark the center with your thumbnail
- Line the center of the ladder to the center of the doubled 32” piece of butyl (paper side facing you), place it directly under the foam-rubber gasket following the curve, make sure they are touching to ensure proper placement
- Firmly press in the butyl to ensure it is secure to the ladder, then remove the paper backing from the butyl



Through bolt holes to find center



Global Pool Products  
1330 Pigeon Rd  
Bad Axe, MI 48413  
P: 989-269-5900 - TF: 866-712-0606  
Fax: 989-269-5902  
[www.global-poolproducts.com](http://www.global-poolproducts.com)

Information contained in this document is proprietary and confidential to Global Pool Products and not to be reproduced without written consent from Global Pool Products.



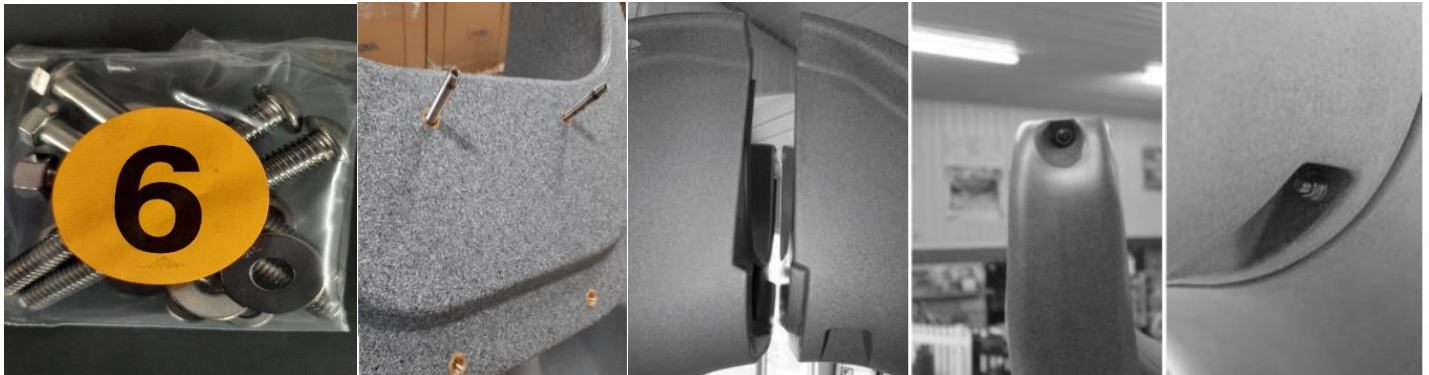


“Global Pool Products is committed to engineering and manufacturing world class products in the pool industry”

## STEP 6

### Attaching the ladder to the flume assemblies

- From bag six in the hardware kit, use two 3” studs and install them into the upper flume, tighten them using a 3/16” Allen Wrench
- Connect the flumes to the ladder, guide the studs into the through bolt holes on the upper ladder
- From bag six in the hardware kit, use two 3 ¾” inch hex bolts, each with one flat washer, insert them into the lower connection points on the ladder side, secure them on the flume side with a flat washer, then a lock washer, and lastly a hex nut
- From bag eight in the hardware kit, use two 3 ½” button head bolts, each with one flat washer, insert them into the upper connection points on the flume side, secure them on the ladder side with a flat washer, then a locker washer, and lastly a hex nut
- DO NOT FULLY TIGHTEN ANY OF THE BOLTS IN STEP 6



Global Pool Products  
1330 Pigeon Rd  
Bad Axe, MI 48413  
P: 989-269-5900 - TF: 866-712-0606  
Fax: 989-269-5902  
[www.global-poolproducts.com](http://www.global-poolproducts.com)

Information contained in this document is proprietary and confidential to Global Pool Products and not to be reproduced without written consent from Global Pool Products.



“Global Pool Products is committed to engineering and manufacturing world class products in the pool industry”

## STEP 7

### Installing the inner connections between the ladder and the flume

- a. From bag seven in the hardware kit, use two 3/4" hex bolts, each with one flat washer, insert them into the two lower connection points inside the ladder
- b. From bag seven in the hardware kit, use one flat washer for each stud, insert them onto the studs inside the ladder, secure them with hex nuts
- c. Tighten the hex bolts with a short extension and 9/16" socket, tighten the hex nuts with a 9/16" wrench
- d. RETURN TO THE FOUR BOLTS INSTALLED IN STEP 6 AND TIGHTEN THEM.
- e. Pull the lighting wires and flex hose through the bottom 6" hole at the underside base of the ladder, consult with a local electrician to conform to your area's codes and regulations on bonding and electrical hook-up.
- f. Turn on the water to the slide to ensure there are no leaks at the connection point of the fitting to the brass insert or the connection point of the flex hose to the PVC adapter



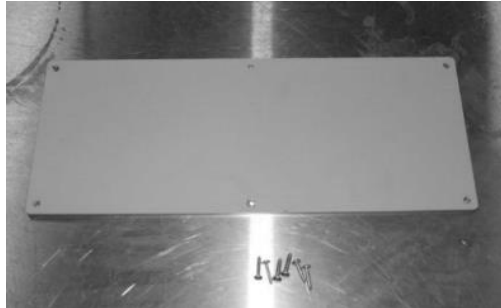


“Global Pool Products is committed to engineering and manufacturing world class products in the pool industry”

## STEP 8

### Installing the access cover plate

- a. From bag eight in the hardware kit, use six Phillips head screws to secure the access panel on the upper ladder
- b. Use a screw driver to install the screws, do not use power tools (it has the potential of stripping out the plastic and not allowing for a tight seal)

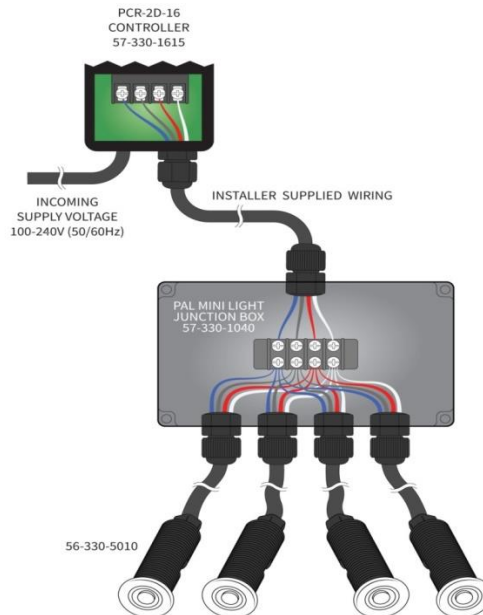




“Global Pool Products is committed to engineering and manufacturing world class products in the pool industry”

### Optional Lighting Preparation

1. Install 1” conduit next to the water stub-up before concrete is poured.
2. Run the conduit outside of the concrete pool deck to either the pool equipment or junction box.
3. Refer to local building or electrical codes.



## ON-DECK MOUNTING & PLUMBING INSTRUCTIONS

### Required Tools

½” SDS Concrete Bit

Hammer Drill

Center Punch (Marking Tool)

Hammer

Shop-vac

4 ¾” Hole Saw (for garden hose hook-up option)

### Included Hardware

½” Concrete Anchors

**Front pedestal needs to be installed on a surface with 0 grade to prevent water wicking back onto pool deck.**

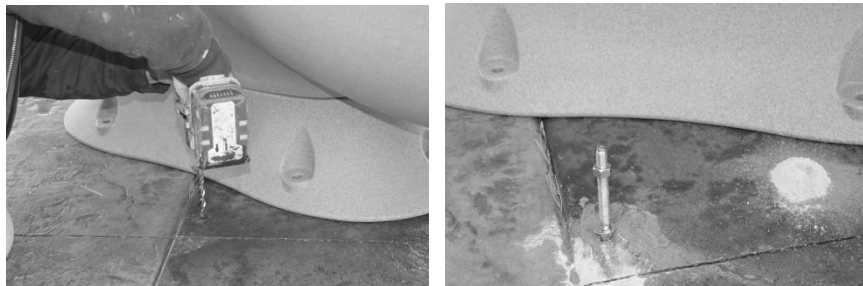
Global Pool Products  
 1330 Pigeon Rd  
 Bad Axe, MI 48413  
 P: 989-269-5900 - TF: 866-712-0606  
 Fax: 989-269-5902  
[www.global-poolproducts.com](http://www.global-poolproducts.com)

Information contained in this document is proprietary and confidential to Global Pool Products and not to be reproduced without written consent from Global Pool Products.



“Global Pool Products is committed to engineering and manufacturing world class products in the pool industry”

1. Place the assembled slide on the pool deck relative to the pool wall with the ladder side over the stub up location.
2. Check to ensure the exit of the flume clears all coping edges. The slide may be angled to your preference as long as the guidelines provided in Global Pool Product’s Placement Instructions are followed.
3. Once the slide is in its desired location and all guidelines are met use a center punch or other marking tool to indicate the mounting holes on the ladder and pedestal so marks are visible on the pool deck surface.
4. Remove the slide and any other objects that could obstruct the drilling of the anchor holes.
5. Using a Hammer Drill equipped with a ½” (13mm) SDS concrete bit, drill the marked holes to a depth of 3” (76mm). *Note: Mark the 3” depth on your SDS bit with some tape to prevent drilling anchor holes too deep. Ensure you are drilling the holes straight and perpendicular for proper holding and strength of anchor.*



6. Clear all anchor holes from any debris. Shop vac may be required if any debris gets in anchor holes.
7. Place slide back over anchor holes and assemble anchors with the included washer and nut so the so the top of the nut is flush with the anchor.
8. Plumb the slide to stub up location.
  - a. Clean flex hose from slide and stub-up plumbing prior to assembling.
  - b. Use PVC Primer & PVC Glue to adhere plumbing components from the slide and stub-up plumbing together.



“Global Pool Products is committed to engineering and manufacturing world class products in the pool industry”



9. Drive all anchors through the slide anchoring holes.
10. Expand anchors by tightening the nuts three to five turns. When the anchor is set, remove the nut and install a lock washer, then retighten the nut to specified torque.

***If installing pool slide as an aftermarket product and running the water from an alternate water source other than pool plumbing, you will need to:***

1. Cut a 4 ¾” access hole in the lower ladder section of the slide to access the flex hose using the dimpled center mark in the rectangular area.



2. Assemble garden hose adapter and connect to water supply (garden hose).

Global Pool Products  
1330 Pigeon Rd  
Bad Axe, MI 48413  
P: 989-269-5900 - TF: 866-712-0606  
Fax: 989-269-5902  
[www.global-poolproducts.com](http://www.global-poolproducts.com)

Information contained in this document is proprietary and confidential to Global Pool Products and not to be reproduced without written consent from Global Pool Products.



"Global Pool Products is committed to engineering and manufacturing world class products in the pool industry"

## Pool Slide Installation – Paver Pool Deck

### Tools Required

Chalk Line      Hammer      Hammer Drill      ½" Concrete Drill Bit      ¾" Socket or Wrench

### Hardware

#### Rip Tide, Tidal Wave, Tsunami

(10) – ½" Anchor Studs (purchased separately)      (10) – Flat Washers      (10) – ½' Hex Nuts

#### Splash

(8) – ½" Anchor Studs (purchased separately)      (8) – Flat Washers      (8) – ½' Hex Nuts

### Instructions

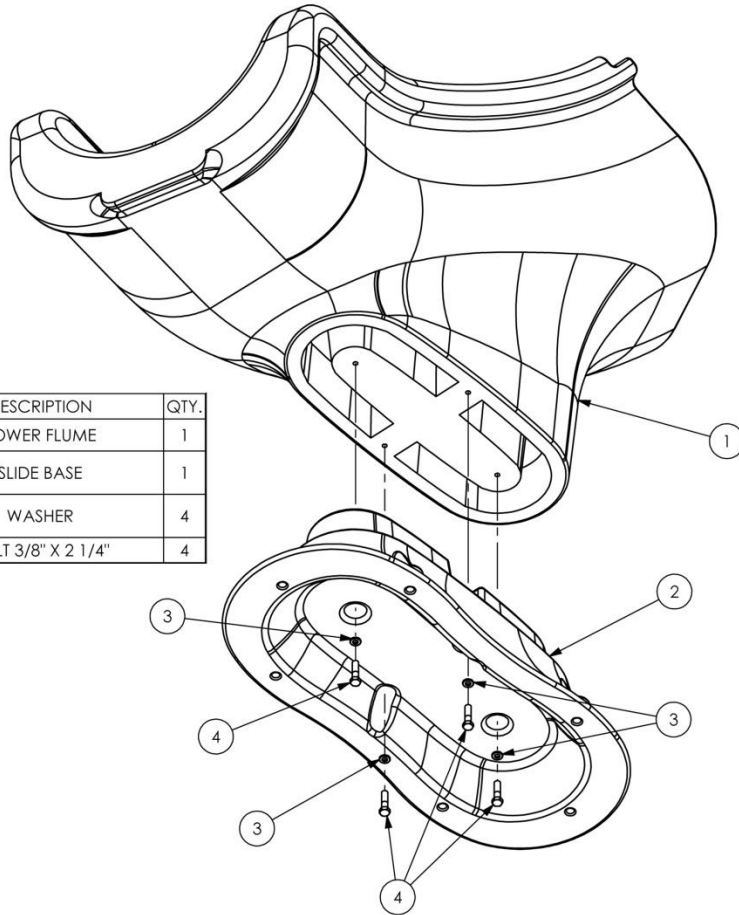
1. Assemble Slide and place it in the desired area while being in compliance with installation location while being conscious of the safety envelope.
2. Mark off slide location of where the concrete pad will be poured for the slide with chalk line. All pads are to be minimum 4" in depth below and below where pavers are to be laid.
  - a. Rip Tide                      8' Wide x 15' Long
  - b. Splash                        8' Wide x 10' Long
  - c. Tidal Wave                8' Wide x 14' Long
  - d. Tsunami                      8' Wide x 12' Long
3. Excavate Pavers if slide is being installed on an existing pool deck.
4. Once the pad is poured and allowed to cure per the manufacture's specifications, lay the pavers.
5. Place the assembled slide on the pavers over the pad where the slide is centered on the pad.
6. Use a center punch to mark the slides anchor holes.
7. Move slide aside and drill holes through pavers and into the concrete pad. You will need to drill 3 ½" into the pad. Mark off with tape on your drill the thickness of your pavers and an additional 3 ½" so it does not drill too deep.
8. Clear holes of any debris that may have fell in with a shop-vac for proper seating of anchor studs.
9. Insert anchor studs into the holes (recommended length for 1 ½" thick paver is 8 ½" stud).
10. Place your slide over the anchor studs and attach with flat washer and nut (included in hardware kit).
11. Expand the anchors by tightening the nut.

Global Pool Products  
1330 Pigeon Rd  
Bad Axe, MI 48413  
P: 989-269-5900 - TF: 866-712-0606  
Fax: 989-269-5902  
[www.global-poolproducts.com](http://www.global-poolproducts.com)

Information contained in this document is proprietary and confidential to  
Global Pool Products and not to be reproduced without  
written consent from Global Pool Products.



“Global Pool Products is committed to engineering and manufacturing world class products in the pool industry”



ITEM NO.	PART NUMBER	DESCRIPTION	QTY.
1	FLUME	LOWER FLUME	1
2	BASE	SLIDE BASE	1
3	GPPBW375	WASHER	4
4	GPPS-375X2.25HHCS	BOLT 3/8" X 2 1/4"	4

Global Pool Products  
 1330 Pigeon Rd  
 Bad Axe, MI 48413  
 P: 989-269-5900 - TF: 866-712-0606  
 Fax: 989-269-5902  
[www.global-poolproducts.com](http://www.global-poolproducts.com)

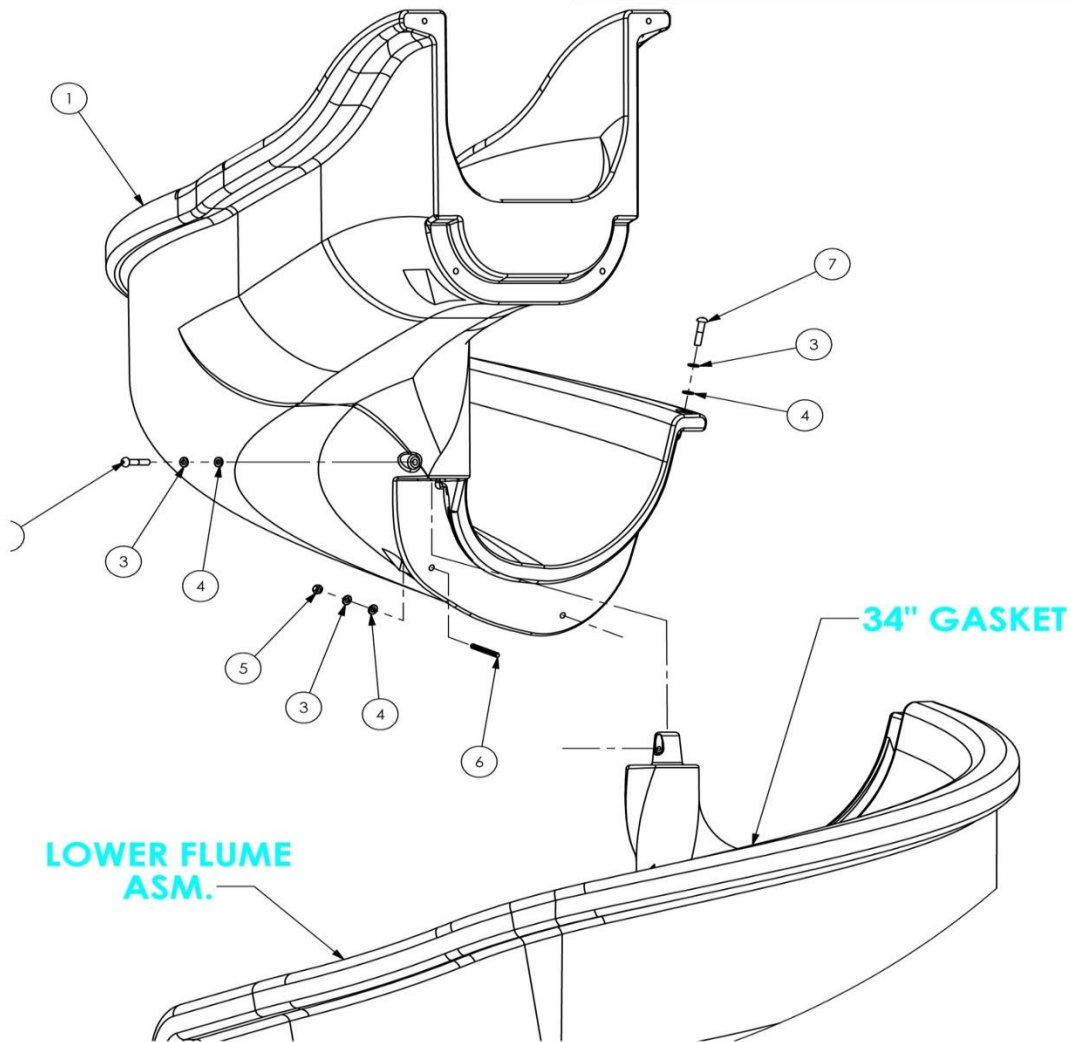
Information contained in this document is proprietary and confidential to Global Pool Products and not to be reproduced without written consent from Global Pool Products.





“Global Pool Products is committed to engineering and manufacturing world class products in the pool industry”

ITEM NO.	PART NUMBER	DESCRIPTION	QTY.
1	TSUNAMI UPPER FLUME	UPPER FLUME	1
2	GPPS-375X2BHCS	BUTTONHEAD BOLT 3/8" X 2 1/4"	1
3	GPPBSW375	LOCK WASHER	4
4	GPPBW375	WASHER	4
5	GPPS-N375	HEX NUT 3/8"	2
6	GPPS-S375X3	STUD	2
7	GPPS-375X2BHCS	BUTTONHEAD BOLT 3/8" X 2 1/4"	1



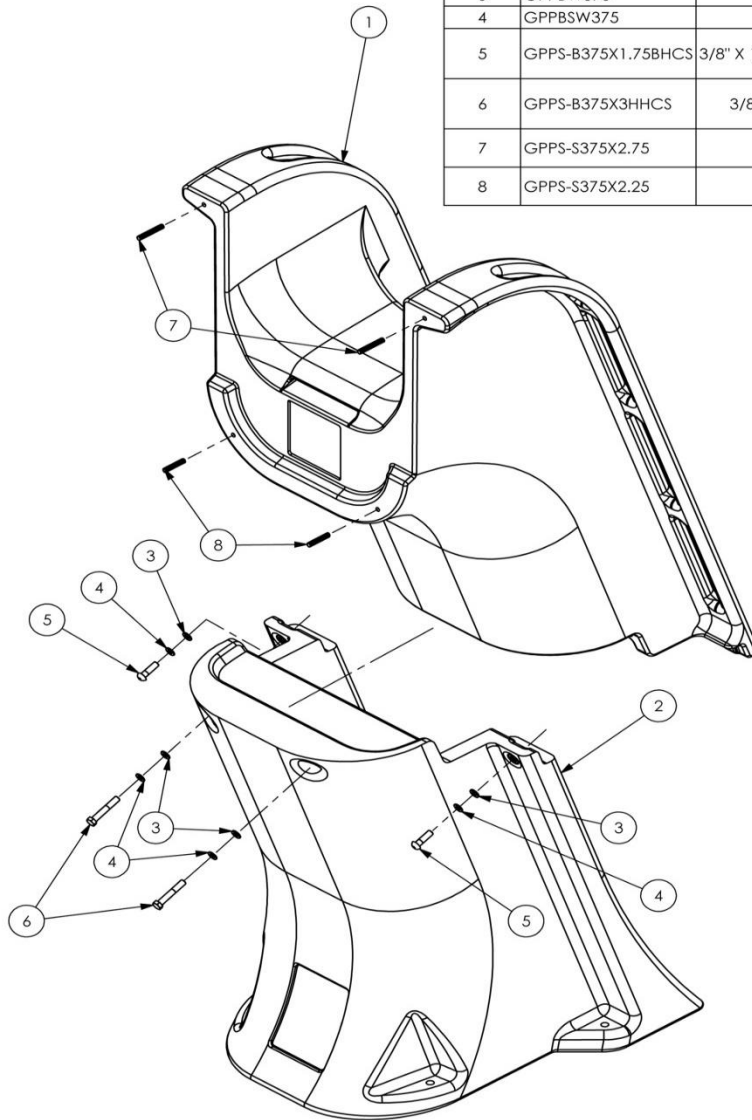
Global Pool Products  
 1330 Pigeon Rd  
 Bad Axe, MI 48413  
 P: 989-269-5900 - TF: 866-712-0606  
 Fax: 989-269-5902  
[www.global-poolproducts.com](http://www.global-poolproducts.com)

Information contained in this document is proprietary and confidential to Global Pool Products and not to be reproduced without written consent from Global Pool Products.



“Global Pool Products is committed to engineering and manufacturing world class products in the pool industry”

ITEM NO.	PART NUMBER	DESCRIPTION	QTY.
1	LADDER	UPPER LADDER	1
2	LADDER	LOWER LADDER	1
3	GPPBW375	WASHER	4
4	GPPBSW375	LOCK WASHER	4
5	GPPS-B375X1.75BHCS	3/8" X 1 3/4" BUTTON HEAD BOLT	2
6	GPPS-B375X3HHCS	3/8" X 3" HEX HEAD BOLT	2
7	GPPS-S375X2.75	STUD	2
8	GPPS-S375X2.25	STUD	2

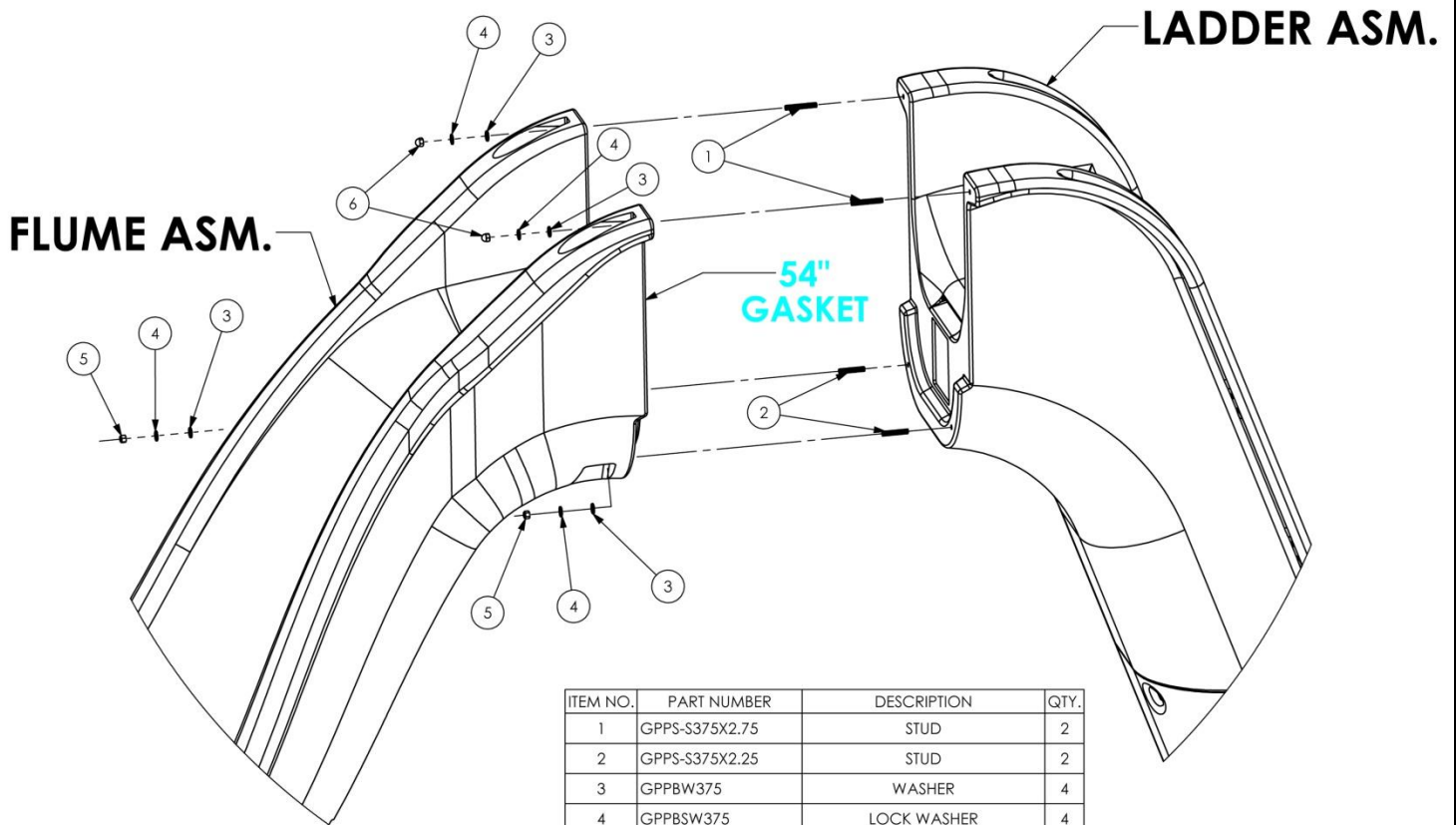


Global Pool Products  
 1330 Pigeon Rd  
 Bad Axe, MI 48413  
 P: 989-269-5900 - TF: 866-712-0606  
 Fax: 989-269-5902  
[www.global-poolproducts.com](http://www.global-poolproducts.com)

Information contained in this document is proprietary and confidential to Global Pool Products and not to be reproduced without written consent from Global Pool Products.



"Global Pool Products is committed to engineering and manufacturing world class products in the pool industry"



ITEM NO.	PART NUMBER	DESCRIPTION	QTY.
1	GPPS-S375X2.75	STUD	2
2	GPPS-S375X2.25	STUD	2
3	GPPBW375	WASHER	4
4	GPPBSW375	LOCK WASHER	4
5	NUT375-16-2	3/8" HEX NUT	2
6	GPPACNT375	3/8" ACORN NUT	2

**\* Hardware attaches through access plate on back side of ladder section**

**\*GPP-B375x75HHCS 3/8" x 3/4" Hex Bolt QTY. 4**

**\*GPPBW375 WASHER QTY. 4**

Global Pool Products  
 1330 Pigeon Rd  
 Bad Axe, MI 48413  
 P: 989-269-5900 - TF: 866-712-0606  
 Fax: 989-269-5902  
[www.global-poolproducts.com](http://www.global-poolproducts.com)

Information contained in this document is proprietary and confidential to Global Pool Products and not to be reproduced without written consent from Global Pool Products.